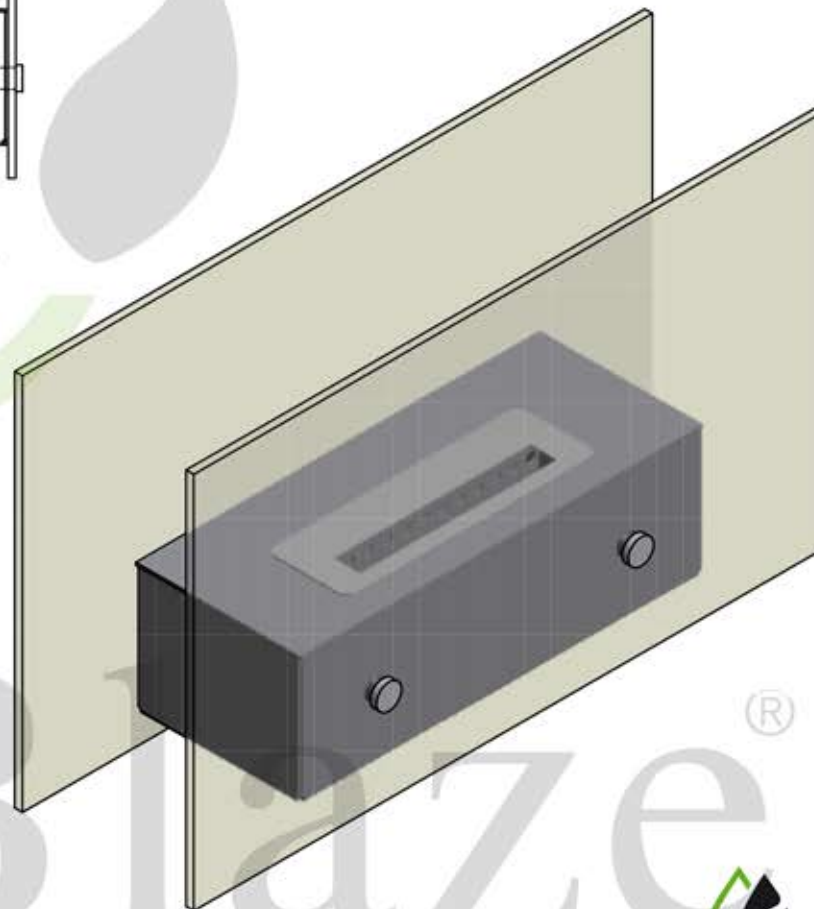
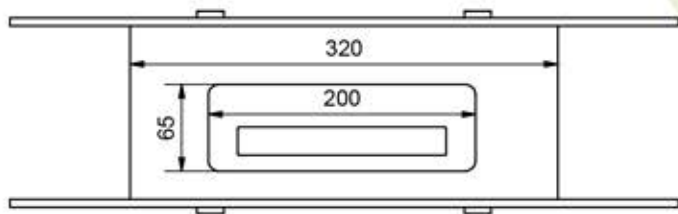


Measures are in mm



Product Dimensions

L 500 x H 300 x D 142 mm

L 19½" x H 12" x D 5½"

Weight

12 kg / 26 lbs

Burner

½ L / ½ qt burner

Burning time

+/- 2½ hrs - 0.16 l/h - ¼ qt/h

Heating Capacity

1.2 KW / 3412 BTU

Minimum Room surface

30 m³(roof 2.45 m) / 1059ft³ (roof 8 ft)

Advised air exchange

every one hour for rooms < 110 m³- < 3884 ft³

Last updated

April 2015